

HKC UVC Disinfection Machine

**IMPROVE PUBLIC
SAFETY**

***Epidemic
prevention of
Coronavirus***



Technical Specifications

UV-C Disinfection Machine

Max Speed: Push Manually

Plugin Power cord 220V

Weight: ≥40kg

Dimensions: W: 53 (cm) x H: 160 (cm)

Disinfection Coverage: 360 degrees

Disinfection Time: 15 / 30 / 60 / 90 /120 mins

Connectivity: Wireless (Bluetooth)

UV-Wavelength: 254 nm (UV-C rays) CE Certified

No. of UVC lights: 6 (75W)

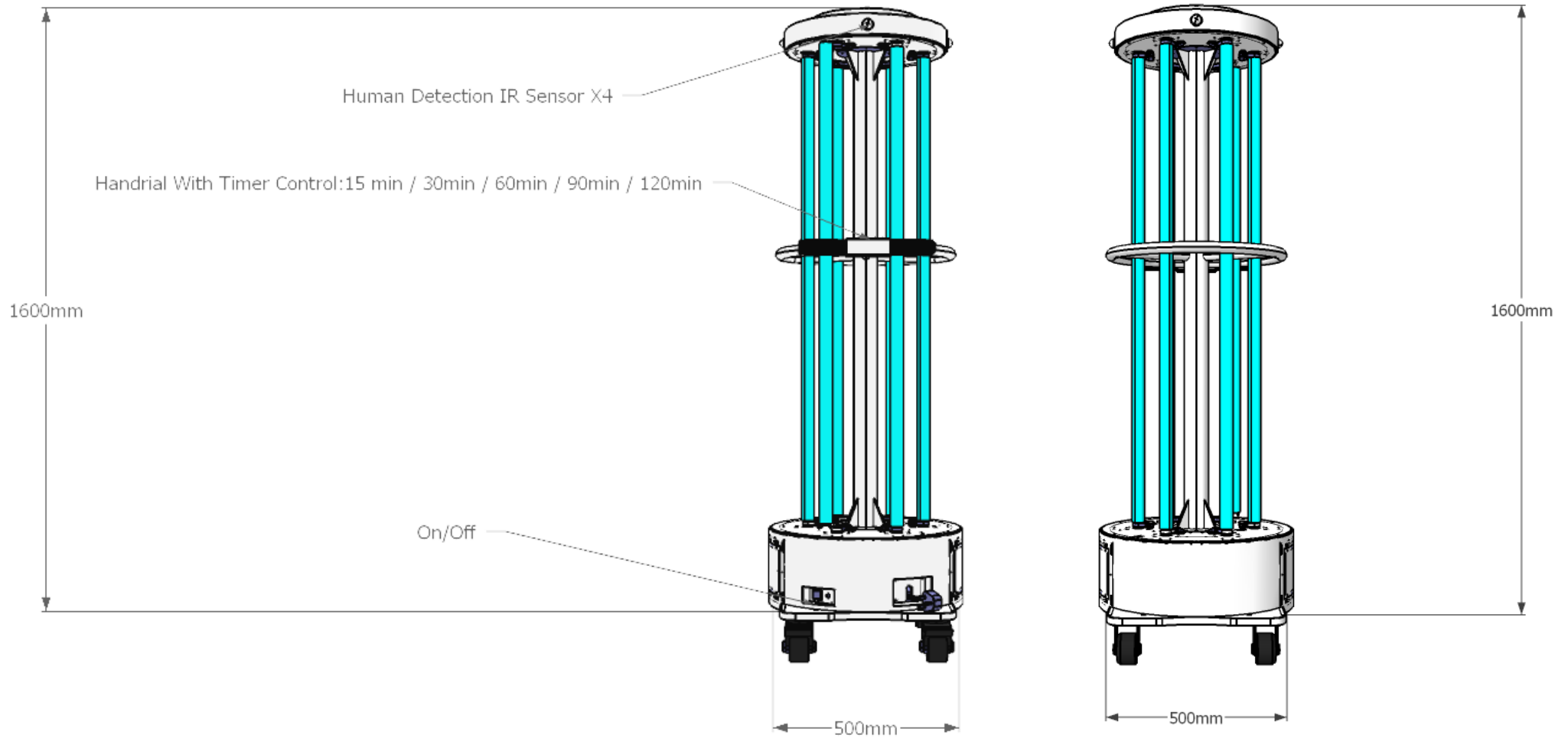
Safety: Software & Human Detection IR Sensor

*Installed with silent universal brake wheels



Kills 99% of all bacteria
Suggested Disinfection Time:
****15 mins. for a regular 25 m² indoor room***

Design Structure



Front View

Back View

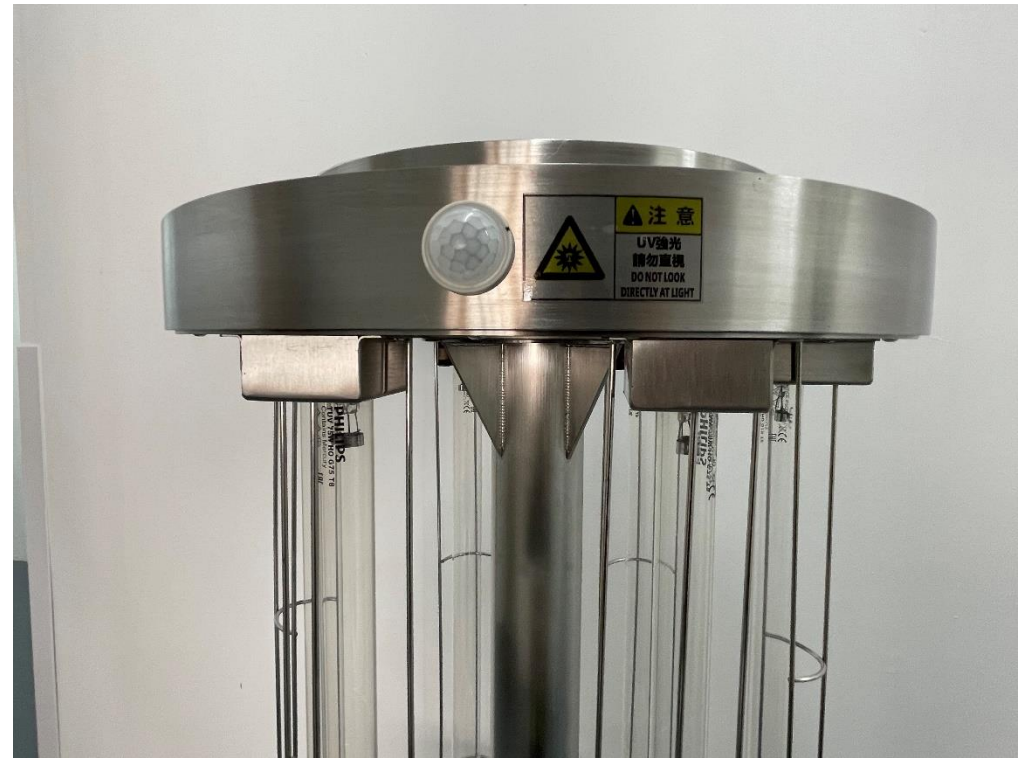
Photos



Close Up



Handrail with Timer Control



Human Detection IR Sensor

We use Philips ultraviolet lamps



- **Reliable UVC output over lifetime**
- **All Philips UVC low pressure mercury lamps contain a unique coating on the inner glass wall that ensures the UVC output over the useful life of the lamp never drops below 85% of its initial output**
- **Lowest mercury content for a better environment**
- **Philips has always taken the lead in reducing the amount of mercury required to operate fluorescent lamps. To dose the mercury in the lamp we use a unique mercury capsule that results in :**
- **Precise dosing of the smallest amount of mercury in a very reproducible way**
- **No mercury emission during manufacturing**
- **Optimum lamp performance with lowest possible amount of mercury in the lamps**



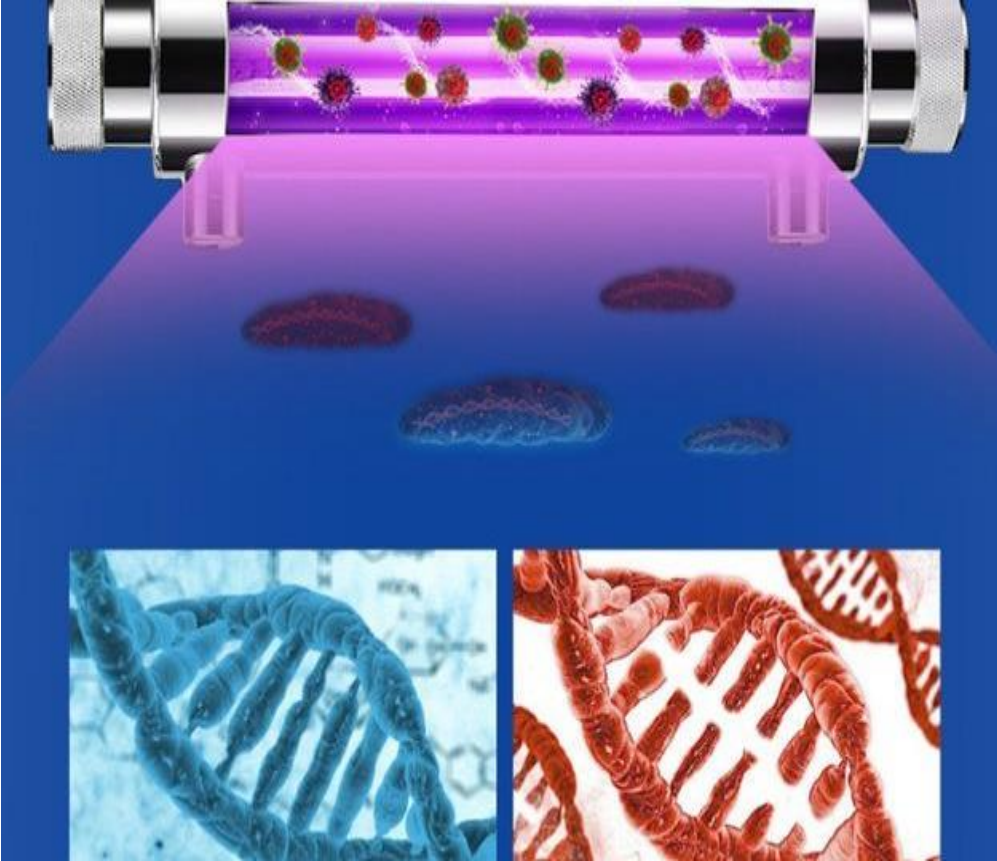
Solution

Bacteria and viruses spread easily in densely populated public areas, such as offices / shopping malls / cinemas / theatre / hospitals etc.

How can we take adequate defense measures?

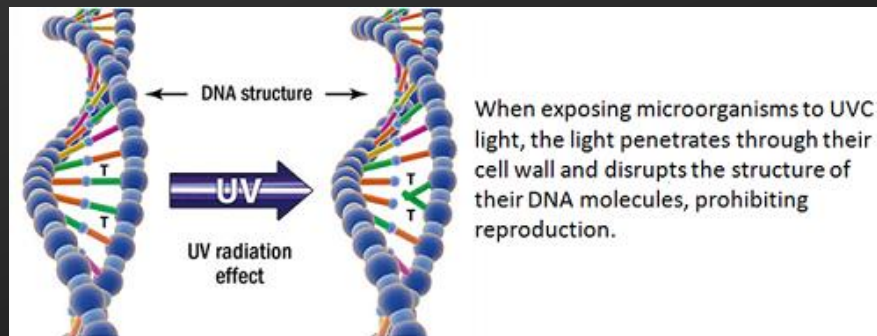
UVC Disinfection Machine:

- UVC disinfection machine emits concentrated UV-C light onto infectious hotspots in rooms , supporting the normal cleaning routines.
- Prevents and reduce the spread of infectious microorganisms in the environment by breaking down their DNA structure.
- Safe, reliable and user friendly wireless operation as it can be operated easily by staff through online website / android app.
- Installed with human detection IR sensor, UVC lights will automatically turn off if any human being detected nearby.
- Reducing public areas infection rates and operating costs.



UVC light disinfection technology eliminate any remaining pathogens after manual cleaning processes, such as:

- Clostridium difficile (C.diff)
- Staphylococcus aureus
- Methicillin-resistant Staphylococcus aureus (MRSA)
- Vancomycin-resistant Enterococcus faecalis (VRE)
- Norovirus



Application Scenario



Business Hall / Lobby



Shopping Malls



Hotel / Hospital / Office



Library



Warehouse



Public Theater

Successful Case

Hong Kong Transport Department

THE GOVERNMENT OF THE HONG KONG SPECIAL
ADMINISTRATIVE REGION

- 14 sets of UV-C machines will be installed at the lobby of Transport Department
- Safe, reliable and user friendly wireless operation as it can be operated easily by management staff through an android app.
- Works during non peak hour
- Reduce infection rates of public areas especially the handrail of building entrance / lift panel / queue line
- Reduce residual virus from manual cleaning by workers



運輸署
Transport Department

Date: February 2021



We Connect Everything

**Hong Kong
Communications Co., Ltd.**

***Thank
You***

Address: 14/F., Block B, Vita Tower, 29 Wong Chuk
Hang Road, Hong Kong

Tel: +852 2527 8822 Fax: +852 2865 6016

Email: contact_hkcgrouphkc.net

Website: <http://www.hkc.com.hk>